

SWANSTON STREET

RIVER TERRACE					RIVER TERRACE					RIVER TERRACE					RIVER TERRACE				
Marquee no.	Description	Tables	Chairs	Power	Marquee no.	Description	Tables	Chairs	Power	Marquee no.	Description	Tables	Chairs	Power	Marquee no.	Description	Tables	Chairs	Power
44					57					66	Food Stall				75				
45					58					67					76				
46					59	Oxfam Shop				68					77				
47					60	Food Stall				69					78				
48					61	Food Stall				70					79				
49					62	Food Stall				71					80				
50	Information Stall				63	Food Stall				72					81				
51					64	Food Stall				73					82				
52					65	Food Stall				74					83				
53															84	Fair Talk Tent			
54															85				
55															86				
56															87	Shared Kitchenette			
															88	Fair Indulgence Tent			
															89	Fair Play Tent			

**PLAZA AND FORECOURTS**

Refer Plaza and Forecourts Site Plan

**BMW EDGE**

Refer BMW Edge Site Plan

**FANATICAL FOODIES ACTIVITIES AREA**



**HOT DOG STALL**

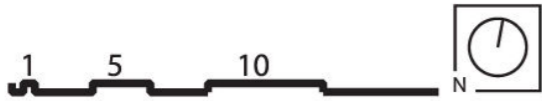
ZINC at FED.SQUARE

YARRA RIVER

TO BIRRURRING MARR







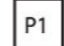










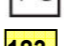




DISABLED LIFT ACCESS

-  Umbrella
-  Cool Room Space



**FED SQUARE EVENT PLAN 2009 RIVER TERRACE**

Event: Fair@Square 2011  
 Event Date: 3/12/2011 to 4/12/2011  
 Version: 1.0  
 Author:

-  FEATURE PLANTING
-  TURF
-  NEW ASPHALT PAVEMENT
-  GRANITIC GRAVEL
-  CLEAR ZONE - NO INFRASTRUCTURE
-  TENANT ZONE
-  P1 INFO COLUMN
-  SEATS
-  DF DRINKING FOUNTAIN
-  TELEPHONE
-  C BICYCLE RACK
-  T WATER SUPPLY
-  FA SINGLE PHASE POWER
-  FB SINGLE PHASE POWER / DATA LINES PHONE/FAX
-  FC SINGLE PHASE POWER / 3 PHASE POWER DATA LINES - PHONE/FAX
-  FE 3 PHASE WIRE IN
-  FG 3 PHASE OUTLET
-  123 MARQUEE
-  V VIDEO INPUT FOR SQUARE SCREEN
-  PUBLIC TOILETS
-  BOLLARDS
-  BOLLARDS REMOVABLE

FOR INFORMATION ONLY  
 Do not reproduce without permission from Federation Square Management